


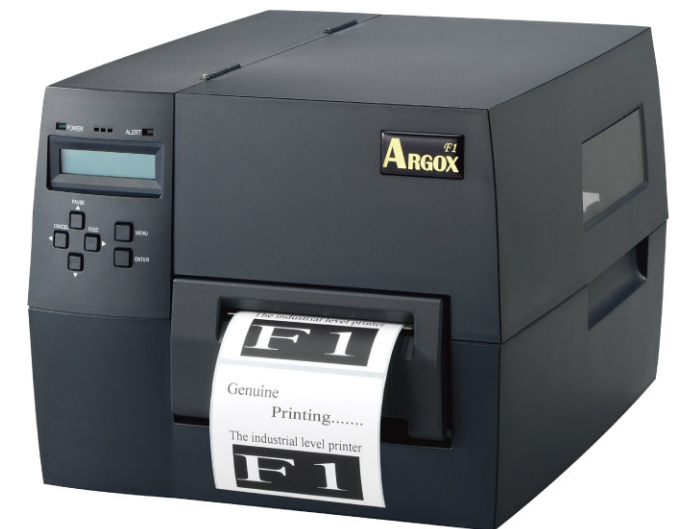
General Specifications

Model name	F1
Printing method	Direct Thermal / Thermal Transfer
Printing resolution	203 dpi (8 dots/mm)
Printing speed	Up to 6 ips (152 mm/s)
Printing length	0.5" ~ 90" (13mm ~ 2286mm)
Printing width	Max 4.09" (104 mm)
Memory	8MB DRAM (7MB user available) / 4MB Flash ROM (3MB user available)
CPU type	32 bit RISC microprocessor
Media sensor	Reflective (movable) / See-through x 2
Display	2x16 LCD display / LED indicators x 2
Operation interface	Button x 6
Communication interface	Centronics Parallel / RS-232 Serial (baud rate 1200 ~ 115200 bps) USB 2.0 (full speed) / PS/2 Keyboard
1D Barcodes	PPLB: Code 128 UCC, Code 128 auto, Code 128 subset A/B/C, UCC/EAN 128, Interleaved 2 of 5, Interleaved 2 of 5 with check sum digit & human readable check digit, German Postcode, Matrix 2 of 5, UPC Interleaved 2 of 5, Code 39, Code 39 with check sum digit, Code 93, EAN-8 & EAN-13, 2&5 digit add-on, Codabar, Postnet, UPC-A 2&5 digit add-on, UPC-E 2&5 digit add-on, GS1 Data Bar
2D Barcodes	PPLB: Maxicode, PDF-417, Data Matrix (ECC 200 only), QR code, Composite code
Fonts	Internal character sets standard 5 alpha-numeric fonts with height from 0.049"~0.23" Internal fonts are expandable up to 24x 24 4 direction 0°~270° rotation Soft fonts are downloadable (up to 72 points)
Graphic	PCX bitmap, GDI, Binary raster
Software	ARGOX PPLB Window Driver (Win 2000/XP/Vista) Label editing software – ArgoBar Pro / Print Utility / Bartender / Font Utility
Maximum label roll diameter	8" (203 mm) outside diameter / Core size 1" and 3" (25.4mm~76 mm) ID
Media type	Roll-feed, die-cut, continuous, fan-fold, tags, thermal ticket, plain paper and fabric label Max width 4.3" (110 mm) Min width 0.79" (20 mm) Thickness .0025"~.01" (.0635mm ~.254mm) Max OD 8" (203mm) ID width 1" (25.4mm) (3" ID can be installed by media core adapter)
Ribbon	Wax, Wax/Resin, Resin (Inside Ribbon & Outside Ribbon available) Ribbon width – 1"~ 4.3" (25.4mm ~ 110mm) Ribbon roll – max OD 2.9" (74 mm) Ribbon length – max 1182' (360 M) Core size - ID 1" core (25.4 mm)
Compact size	W390 x L309 x H255 mm
Weight	16.5 lbs (7.5 kgs)
Power source	100~240 VAC, 50/60 Hz, internal universal power supply
Operation environment	40°F ~ 104°F (4°C~40°C) / 10~90% non condensing / Storage temperature -4°F~140°F (-20 °C~60 °C)
Optional items	Cutter, Dispenser, Stacker, RTC card, 2MB Asian Font card (Simply Chinese, Tradition Chinese, Japanese, Korean), ArgoKee
Safety Approval	

* This data sheet is for informational purposes only. Argox makes no warranties, expressed or implied in this summary. Specifications are subject to change without notice. All trademarks are the property of their respective owners. More specific information, please refer to user's manual.

ARGOX
Empower the Barcode

Innovative Commercial Printer
with Industrial Durability
F-Series



Best for commercial and industry use



ARGOX
Empower the Barcode
www.argo.com

Argox Information Co., Ltd.
7F, No 126, Lane 235, Pao-Chiao Rd., Hsin Tien,
Taipei, Taiwan, R.O.C.
Tel:+886-2-8912-1121 Fax:+886-2-8912-1124
Copyright © 2008. Argox Information Co. Ltd., All Rights Reserved.

ARGOX

F1 Innovative commercial printer with industrial durability

Key Features

- Up to 15,000 labels output per day
- 32 bit CPU, up to 6ips printer speed, 203 dpi direct thermal/thermal transfer printer
- 4 MB Flash, 8 MB DRAM memory standard
- Multiple communication interfaces-Parallel, Serial (Baud rate is up to 115,200 bps), USB and PS/2 Keyboard
- Movable reflective and transmissive sensor, and Buzzer Warning System built-in
- Back-lit LCD display, LED and button operation interface for easy-to-use
- Twin-Eyed System, Ribbon Inside/Outside Auto-Switching, Auto-Form functions for user's friendly design
- Enhanced Cutter and Peeler module design for quick maintenance
- 360M ribbon & 8-inch media compartment
- Stand-alone operation through PS/2 interface
- Support 1D/GS1 Data Bar and 2D/ Composite codes, QR barcode
- Full range of options : Cutter, Peeler, Stacker, font card, RTC card and PC keyboard / Argokee for standalone operation
- Printer Server external for Ethernet/Wireless or Bluetooth options



Twin-Eyed Sensor System

Twin-Eyed Sensor System with LED light pipe and floating reflective sensor for paper enhances precise gap detection.



Unique Media Guide Lock

Right & left side media guide and a unique holder lock design stabilizes the paper during printing.



Ribbon Inside/Outside Auto-Switch

Ribbon Inside/Outside Auto-Switch Technology for ease-of-use and no need to remember how to install inside/outside ribbon.



Buzzer Function

When failures occur, the Buzzer sounds a warning and a failure message shows on the panel.



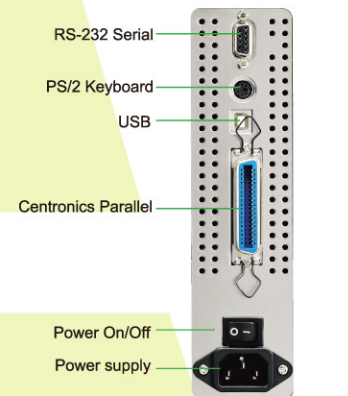
Quick Installation & Maintenance

Quick and easy installation and maintenance of modular cutter and peeler, as well as TPH and roller, and cutter jam detecting sensor solves cutter jam problems.



User Friendly

User-friendly features include multi-language messages, LCD operating interface, Auto-Form function, and One-Button calibration function.



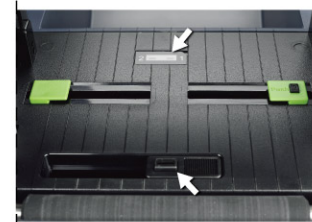
Communication interface



F1

The F1 is a breakthrough in barcode printers, combining the user-friendly features of a desktop printer with industrial durability. Offering many new and innovative features, the economical, highly reliable, and extra sturdy F1 is a 203 dpi thermal transfer printer that prints up to 15,000 labels per day. The F1's plastic housing design is strong, lightweight, and space-saving. Multiple communication interfaces include USB 2.0, Centronics parallel, RS-232 Serial, and PS/2, for maximum connectivity. A 32 bit CPU, 8MB SDRAM and 4MB flash memory achieves up to 6ips printing speed and supports a printing length of up to 90-inches. The mechanism offers 4-inch printing width and holds a 360m ribbon and 8-inch OD media capacity.

New user-friendly features include a Twin-Eyed sensor system, media guide lock and floating reflective sensor, ribbon inside/outside auto-switching, and warning buzzer. The F1 delivers low-noise operation and allows easy installation of options such as cutter and peeler. Connecting the optional ArgoKee keyboard display unit supports the F1's standalone operation. F1 printer is perfect for variety of applications in assets management, commercial, transportation, distribution, health care and warehouse. Economical and high performance, the F1 is the first in a new generation of advanced industrial barcode printers.



Twin-Eyed sensor system for paper detection



Media guide with a unique holder lock



Paper detections of notch and hole



Easy and quick installation



LCD operation interface